

This is confidential information of LYNX and/or its affiliates, and may not be disclosed to third parties or used other than as directed by the disclosing party. The intellectual property contained here in may not be altered, copied, sold or used without permission.

Printing Inks :

HOME96027 FOLDER SEATING AND TABLE ASSEMBLY INSTRUCTION 148,5X210MM

ARTWORK

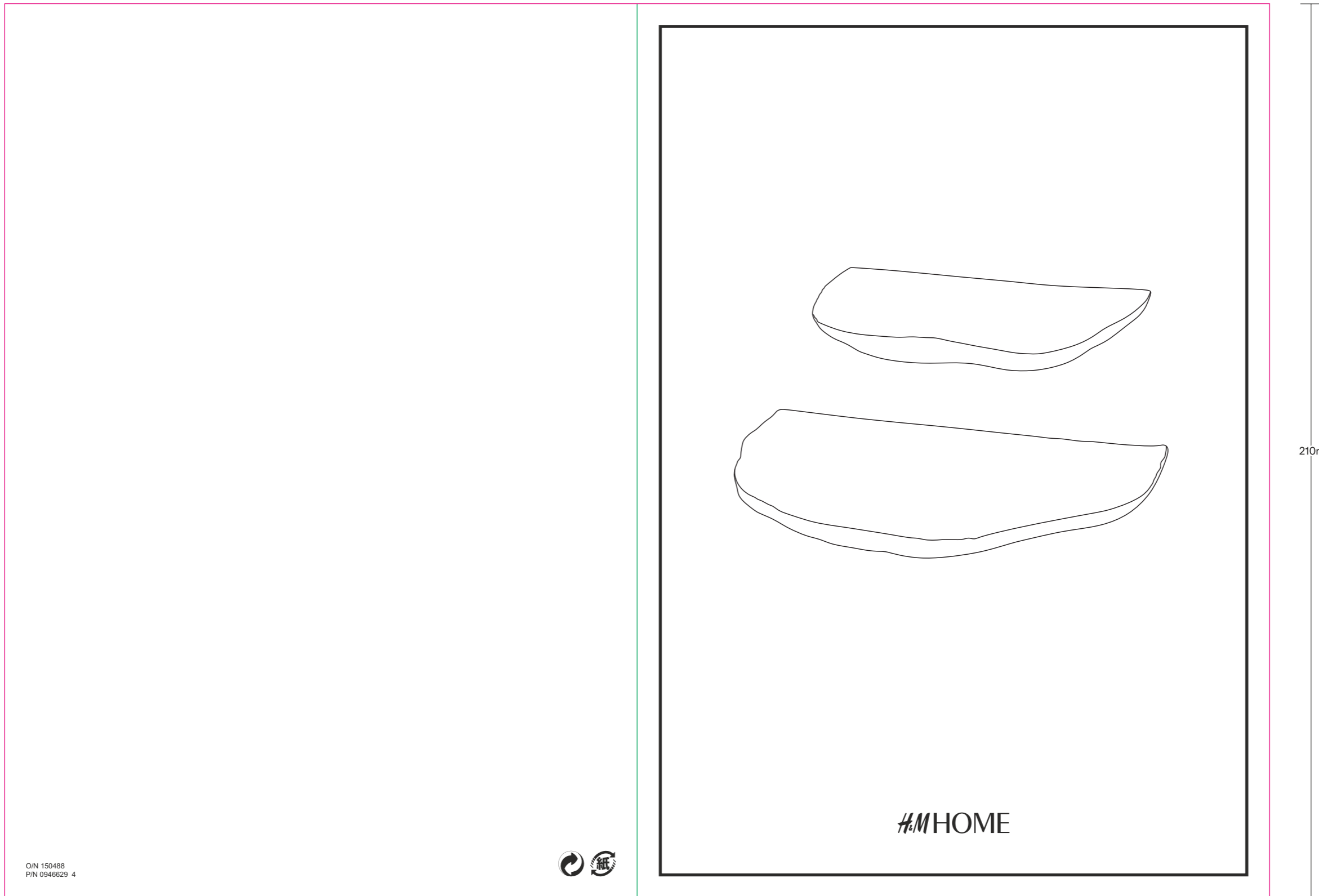
CREATION DATE: 210105
LATEST CHANGE: 210105

OPTION 1: SEATING AND TABLES

SHEET 1

Newton Shelves

Front



← Product pictogram placement.

210mm

297mm

Order number →
Products Sales number
and season (variable data)

O/N 150488
P/N 0946629 4



H&M HOME

HOME96027 FOLDER SEATING AND TABLE ASSEMBLY INSTRUCTION 148,5X210MM

ARTWORK

CREATION DATE: 210105

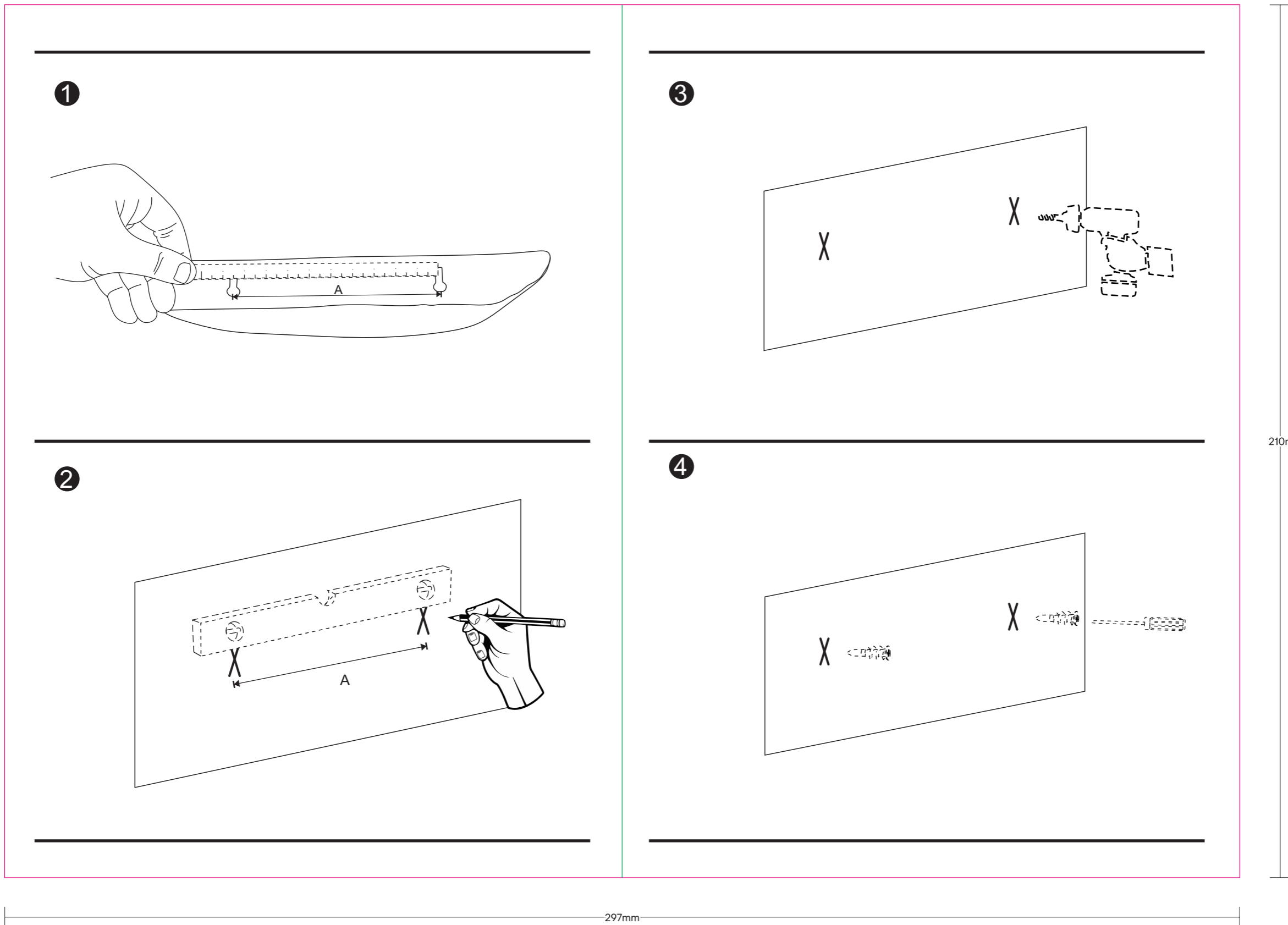
LATEST CHANGE: 210105

SHEET 2

Newton Shelves

Front

Pictogram placement. →
(For assembly instruction
remove when not needed)



← Maintenance
(variable data)

Printing Inks :

HOME96027 FOLDER SEATING AND TABLE ASSEMBLY INSTRUCTION 148,5X210MM

ARTWORK

CREATION DATE: 210105
LATEST CHANGE: 210105

SHEET 2

Newton Shelves

Front

Pictogram placement. →
(For assembly instruction remove when not needed)

