

This is confidential information of LYNX and/or its affiliates, and may not be disclosed to third parties or used other than as directed by the disclosing party. The intellectual property contained here in may not be altered, copied, sold or used without permission.

Printing Inks :

HOME96027 FOLDER SEATING AND TABLE ASSEMBLY INSTRUCTION 148,5X210MM

ARTWORK

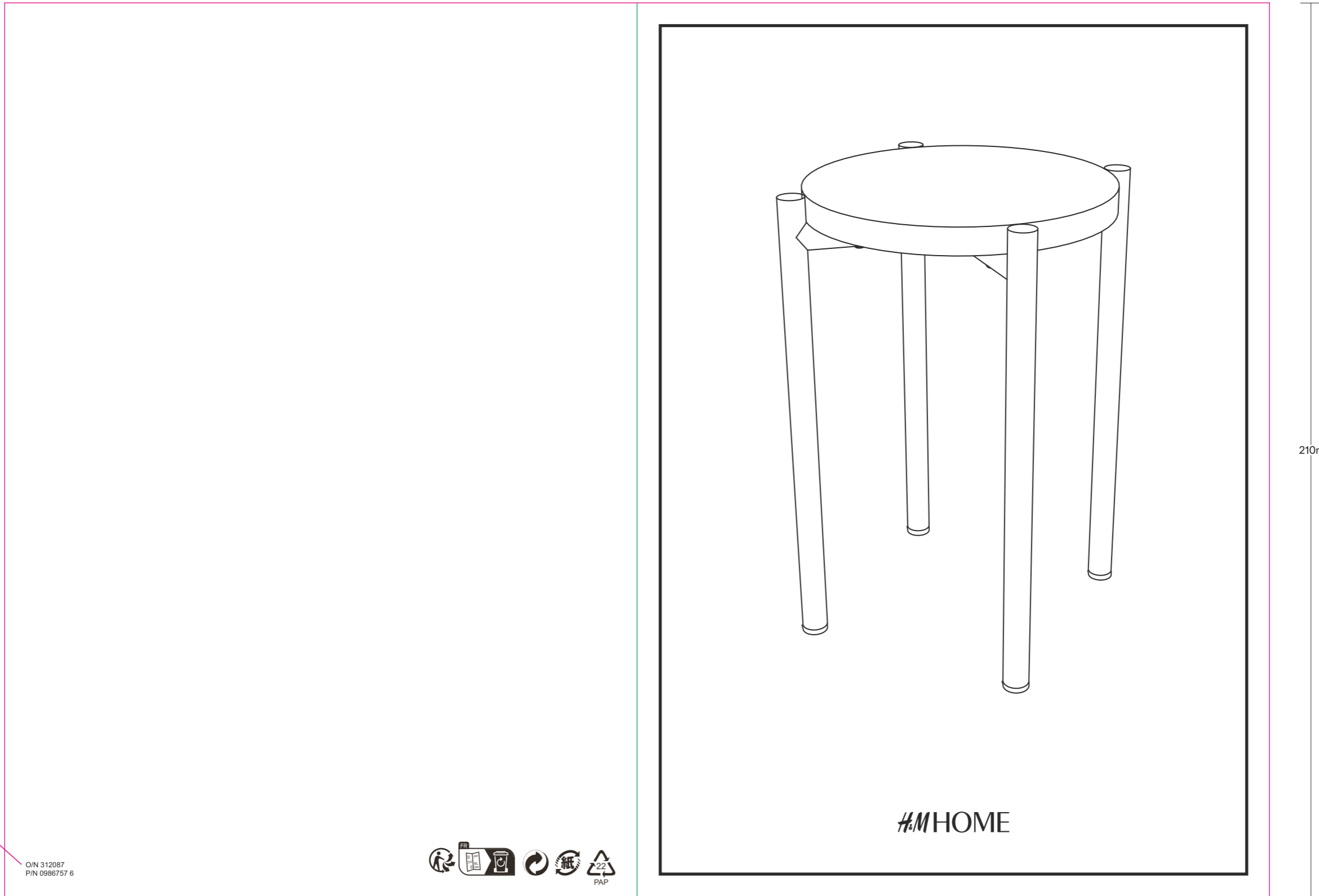
CREATION DATE: 210105
 LATEST CHANGE: 211129

OPTION 1: SEATING AND TABLES

SHEET 1

SAM STOOL

Front



O/N 312100
 P/N 0986757 6

Order number
 Products Sales number
 and season (variable data)

O/N 312087
 P/N 0986757 6



297mm

210mm

HOME96027 FOLDER SEATING AND TABLE ASSEMBLY INSTRUCTION 148,5X210MM

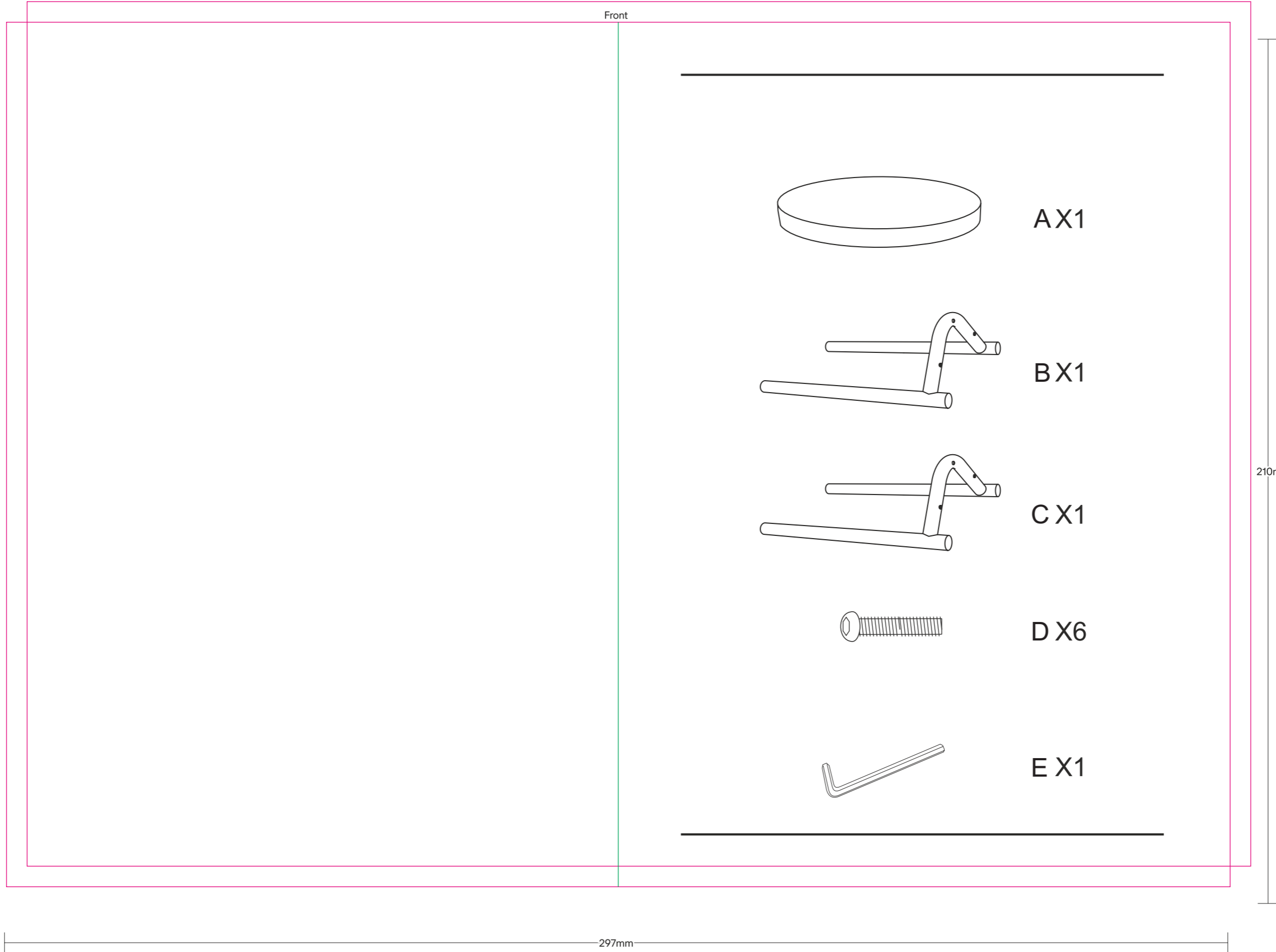
ARTWORK

CREATION DATE: 210105
LATEST CHANGE: 211129

SHEET 2

SAM STOOL

Pictogram placement →
 (For assembly instruction
 remove when not needed)



HOME96027 FOLDER SEATING AND TABLE ASSEMBLY INSTRUCTION 148,5X210MM

ARTWORK

CREATION DATE: 210105

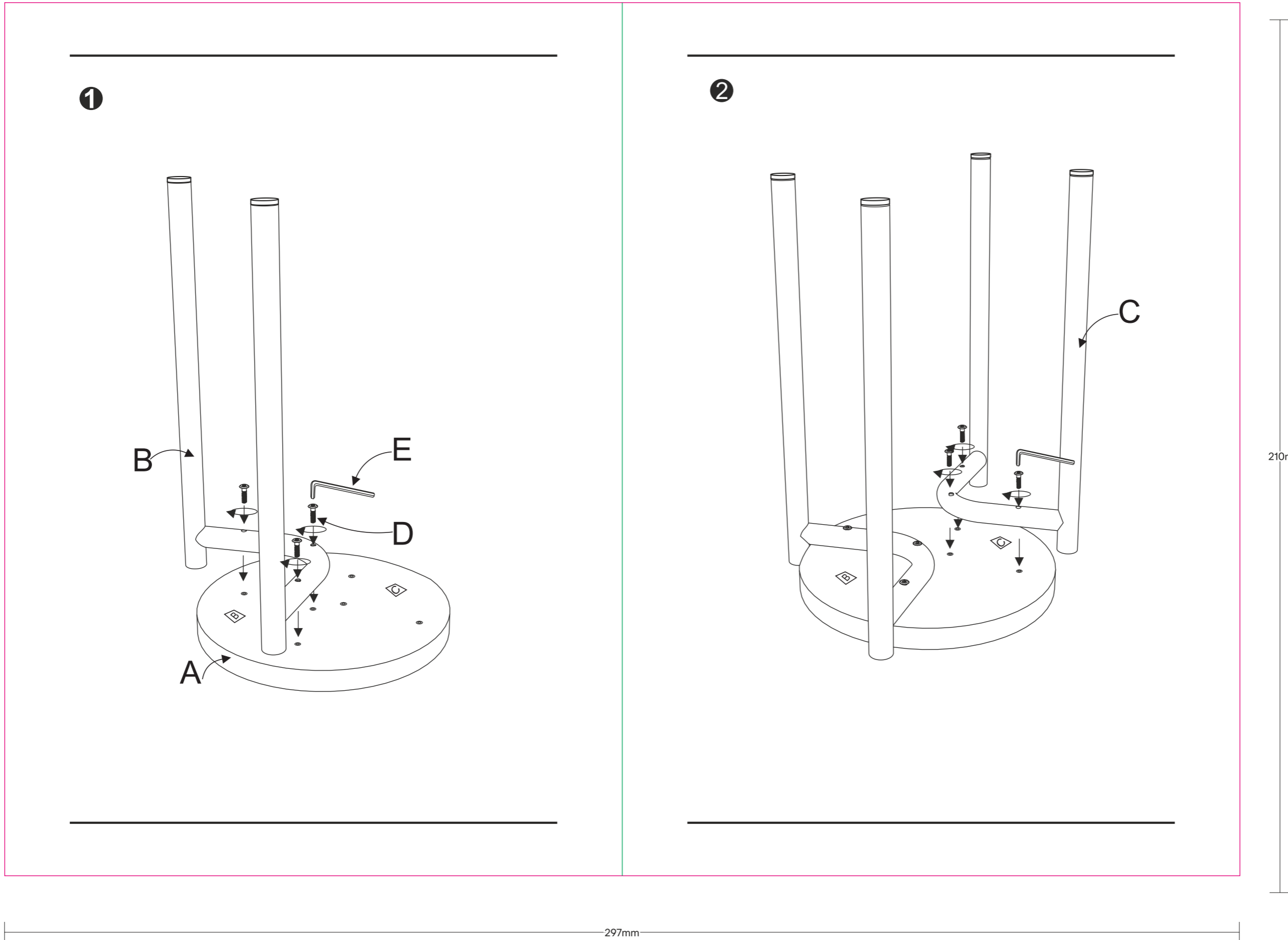
LATEST CHANGE: 211129

SHEET 2

SAM STOOL

Back

Pictogram placement →
(For assembly instruction remove when not needed)



← Maintenance (variable data)